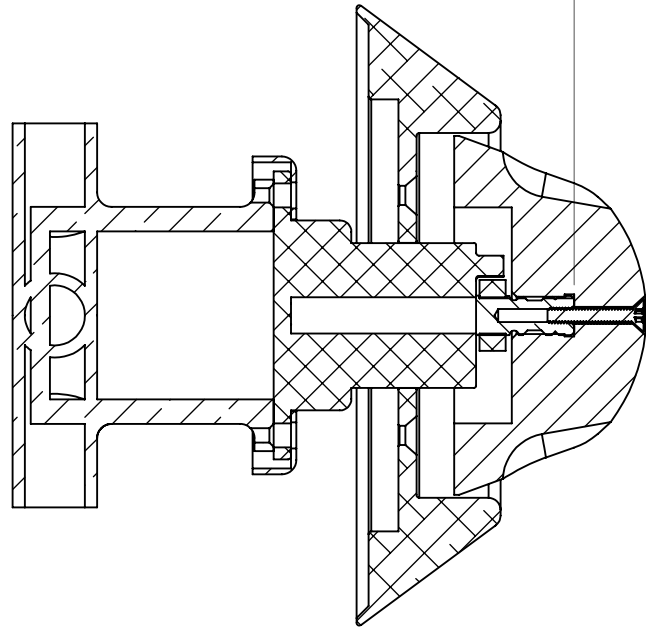
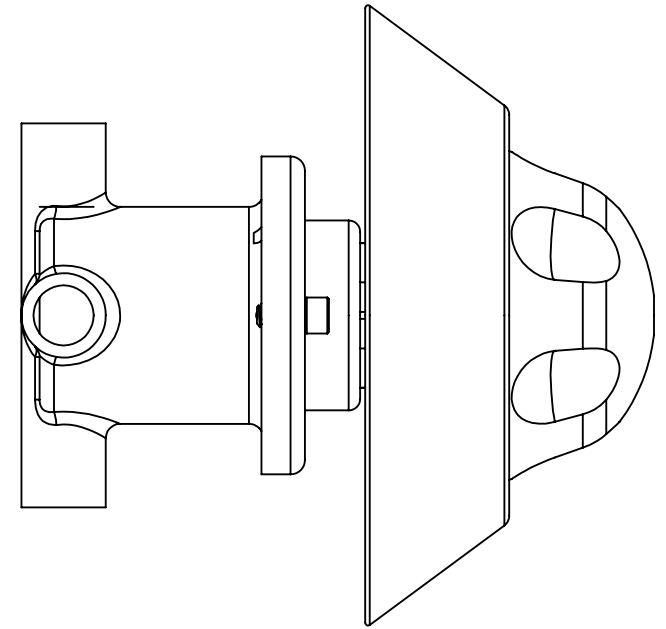
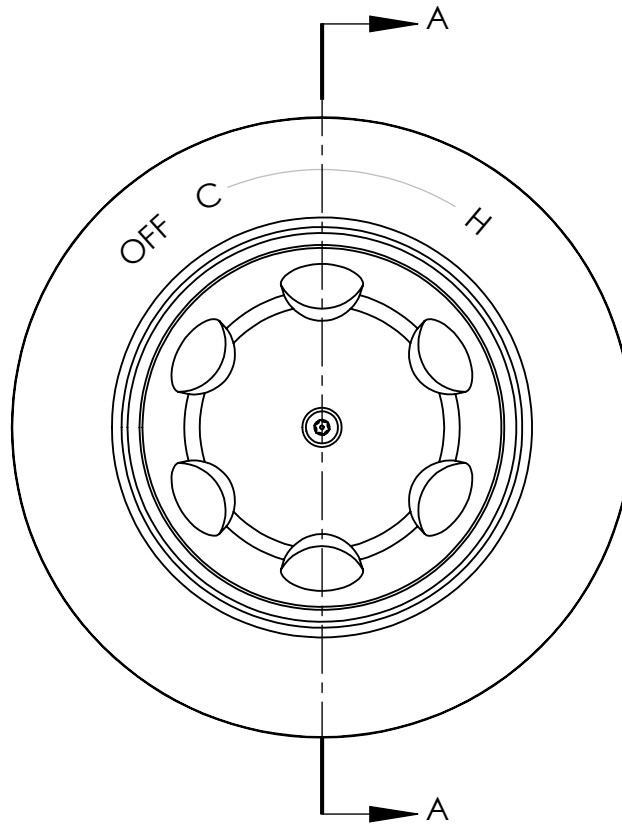


2.27" Optimal
(1.90"-2.50" Acceptable)



SECTION A-A



PROPRIETARY AND CONFIDENTIAL
THE INFORMATION CONTAINED IN THIS
DRAWING IS THE SOLE PROPERTY OF
NIEKAMP TOOL CO., INC. ANY
REPRODUCTION IN PART OR AS A WHOLE
WITHOUT THE WRITTEN PERMISSION OF
NIEKAMP TOOL CO., INC. IS PROHIBITED.

		UNLESS OTHERWISE SPECIFIED:	NAME	DATE
		DIMENSIONS ARE IN INCHES	DRAWN	HJN
		TOLERANCES:	CHECKED	
		ANGULAR: MACH ± .5 BEND ± 2	ENG APPR.	
		TWO PLACE DECIMAL ±.02	MFG APPR.	
		THREE PLACE DECIMAL ±.005	Q.A.	
		FOUR PLACE DECIMAL ±.0002	COMMENTS:	
		INTERPRET GEOMETRIC TOLERANCING PER: ANSI		
		MATERIAL		
	USED ON	FINISH		
APPLICATION		DO NOT SCALE DRAWING		

Niekamp Tool Co., Inc.

TITLE:
K-304 Valve Assembly

SIZE	DWG. NO.	REV
A	SSA-1038	0

SCALE: 1:2	WEIGHT: 4.30	SHEET 1 OF 1
------------	--------------	--------------