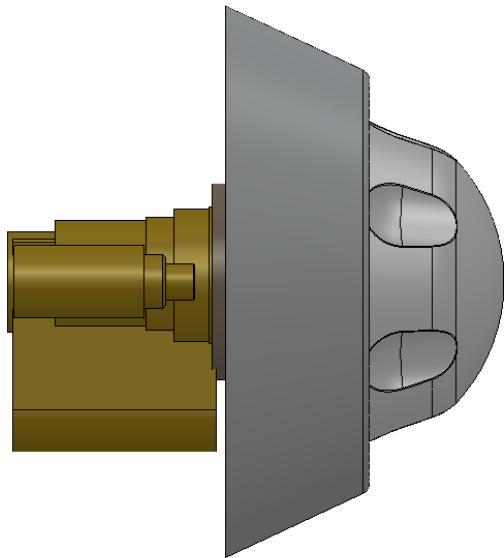
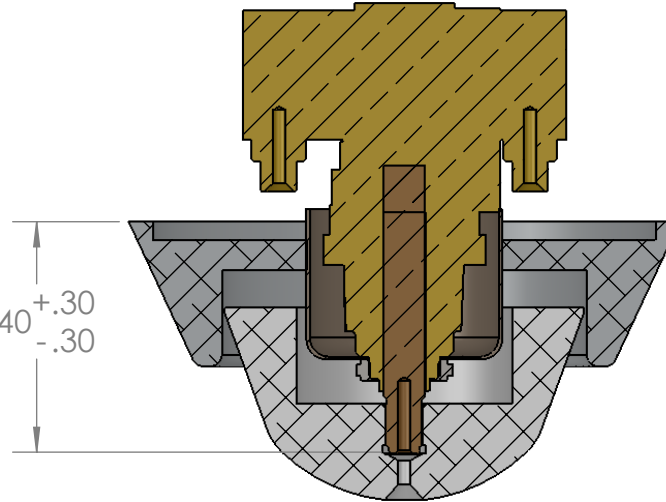
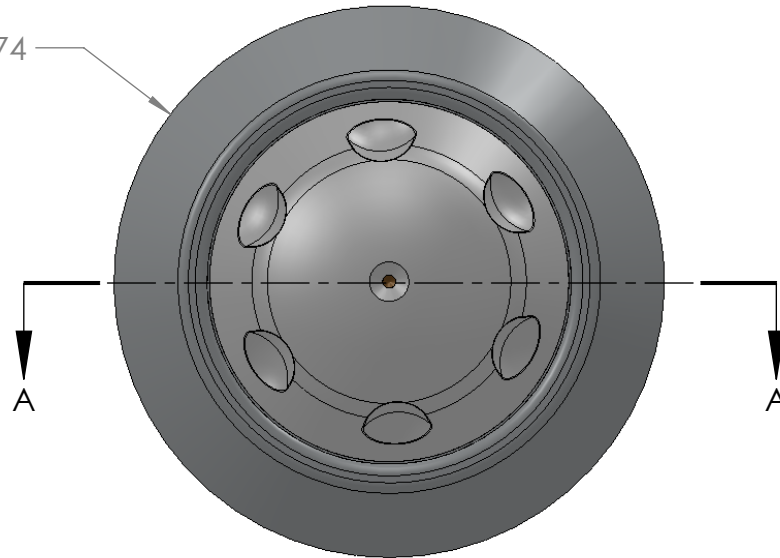


Wall to Stem height

2.40<sup>+0.30</sup><sub>-.30</sub>



Ø 5.74



PROPRIETARY AND CONFIDENTIAL  
THE INFORMATION CONTAINED IN THIS  
DRAWING IS THE SOLE PROPERTY OF  
NIEKAMP TOOL CO., INC.. ANY  
REPRODUCTION IN PART OR AS A WHOLE  
WITHOUT THE WRITTEN PERMISSION OF  
NIEKAMP TOOL CO., INC. IS  
PROHIBITED.

		UNLESS OTHERWISE SPECIFIED:		NAME	DATE
		DIMENSIONS ARE IN INCHES	DRAWN		
		TOLERANCES:	CHECKED		
		FRACTIONAL ±	ENG APPR.		
		ANGULAR: MACH ± BEND ±	MFG APPR.		
		TWO PLACE DECIMAL ±	Q.A.		
		THREE PLACE DECIMAL ±	COMMENTS:		
		INTERPRET GEOMETRIC TOLERANCING PER:			
		MATERIAL			
NEXT ASSY	USED ON	FINISH			
APPLICATION		DO NOT SCALE DRAWING			

*Niekamp Tool Co., Inc.*

TITLE:  
Temp-Gard 3 7100

SIZE	DWG. NO.	REV
A	SSA-1023	0

SCALE: 1:4	WEIGHT:	SHEET 1 OF 1
------------	---------	--------------