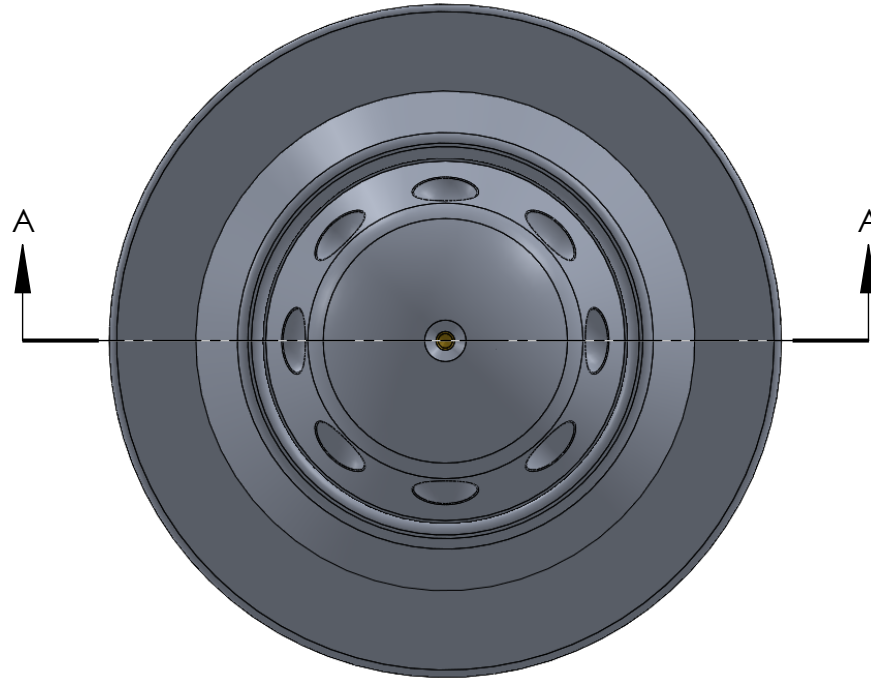
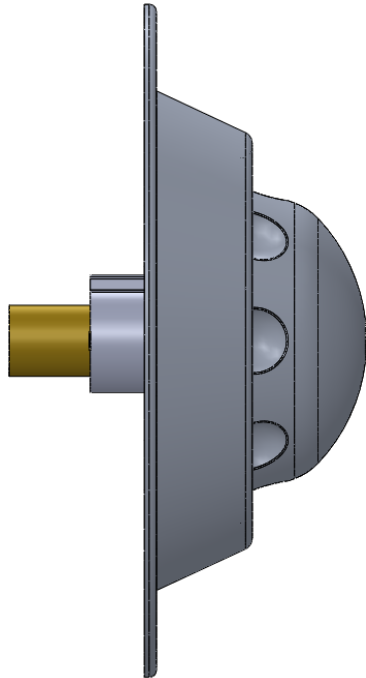


.940^{+.160}_{-.160}
WALL TO STEM HEIGHT



PROPRIETARY AND CONFIDENTIAL
THE INFORMATION CONTAINED IN THIS
DRAWING IS THE SOLE PROPERTY OF
NIEKAMP TOOL CO., INC. ANY
REPRODUCTION IN PART OR AS A WHOLE
WITHOUT THE WRITTEN PERMISSION OF
NIEKAMP TOOL CO., INC. IS PROHIBITED.

		UNLESS OTHERWISE SPECIFIED:	NAME	DATE
		DIMENSIONS ARE IN INCHES	DRAWN	HJN
		TOLERANCES:	CHECKED	
		ANGULAR: MACH ± .5 BEND ± 2	ENG APPR.	
		TWO PLACE DECIMAL ±.02	MFG APPR.	
		THREE PLACE DECIMAL ±.005	Q.A.	
		FOUR PLACE DECIMAL ±.0002	COMMENTS:	
		INTERPRET GEOMETRIC TOLERANCING PER: ANSI		
		MATERIAL		
	USED ON	FINISH		
	APPLICATION	DO NOT SCALE DRAWING		

Niekamp Tool Co., Inc.

TITLE:

SSA - 1031 IP

SIZE	DWG. NO.	REV
A		

SCALE: 1:2	WEIGHT:	SHEET 1 OF 1
------------	---------	--------------